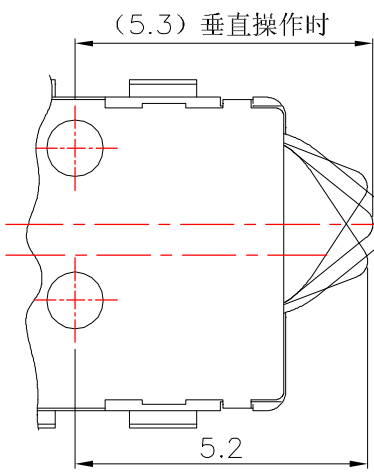
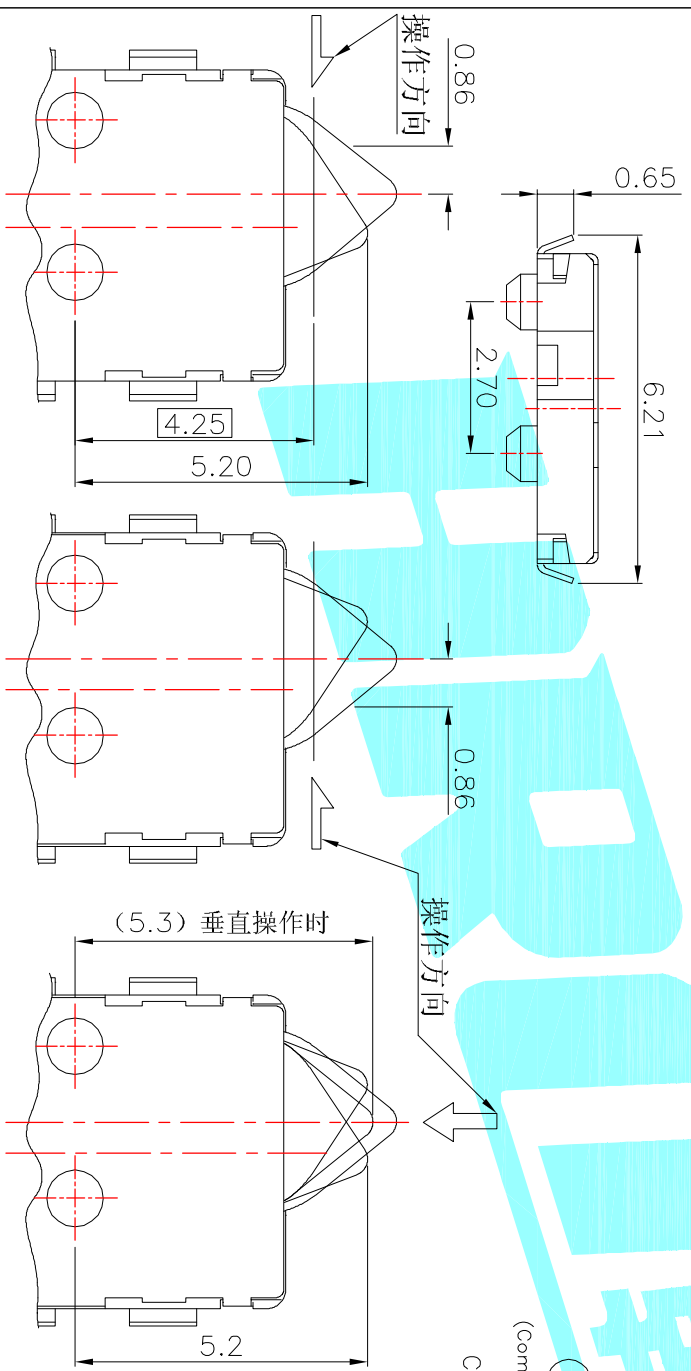


NOTE:
 Rating: DC 12V 50mA
 Operating Force: 20±10gf
 Lifetime: 100,000 Cycles

PART NO.
K5-1618UA-01
K5-1618UN-01



ITEM	PART NAME	TER'NO.	QTY.	MATERIAL	FINISHING	REMARK
⑥	Spring	—	1	SUS	Ag Plated	
⑤	Contact Spring	—	1	Phosphor Bronze	Ag Plated	
④	Terminal	—	4	Phosphor Bronze	Ag Plated	
③	Base	—	1	LCP	Black	
②	Cover	—	1	SUS	Natural	
①	Slider	—	1	PA46	Black	

APPROVALS	DATE	TITLE:
DRAWN J.X.Zhang	2013/9/5	DETECTOR SWITCHES

ECN NO.	REV.	DATE.	DESCRIPTION.	CHANGE.	CHECK.	APPRO.
	A		NEW			
TOLERANCES ARE 30~12.5 ±0.30 ANGLE PART NO. 10~30 ±0.20 UNIT: mm SCALE: 1:1 PROJ: 5~10 ±0.15 ±2° DRAWING NO. SHEET 1 OF 1 ~5 ±0.10						



ELECTRONICS CO., LTD