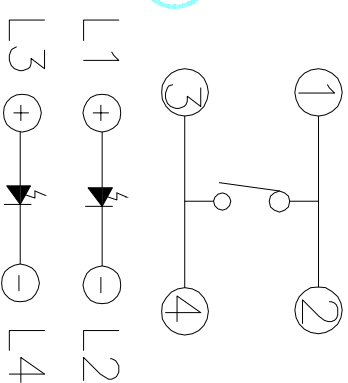
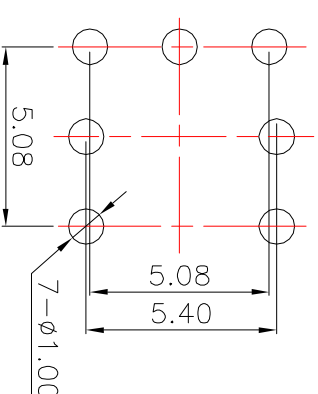


LED colour(LED颜色)	Part No. (料号)
Whiter(白色)	K6-6143D01
Red(红色)	K6-6143D02
Blue(蓝色)	K6-6143D03
Green(绿色)	K6-6143D04



Circuit Diagram

PCBLayout(Pattern Side)



② Terminal	3	Phosphor bronze Au Plating
① Housing	1	Nylon Black
ITEM PART NAME	TERN.O.	QTY.
MATERIAL	FINISHING	REMARK

APPROVALS		DATE
DRAWN	J.X.Zhang	2013/11/11
CHECKED		
TITLE: LED Tact Switch		
PART NO. K6-6143D		

ECN NO.	REV.	DATE.	DESCRIPTION.	CHANGE.	CHECK.	APPRO.
	A		NEW			
TOLERANCES ARE		30~12.5 ±0.30	ANGLE	±2°	DRAWING NO.	
		10~30 ±0.20	UNIT: mm	SCALE: 1:1	PROJ. SHEET 1 OF 1	
		5~10 ±0.15				
		~5 ±0.10				