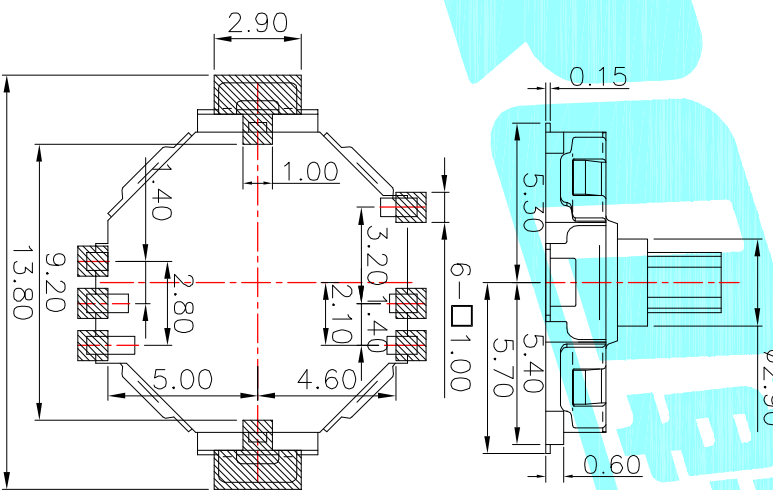
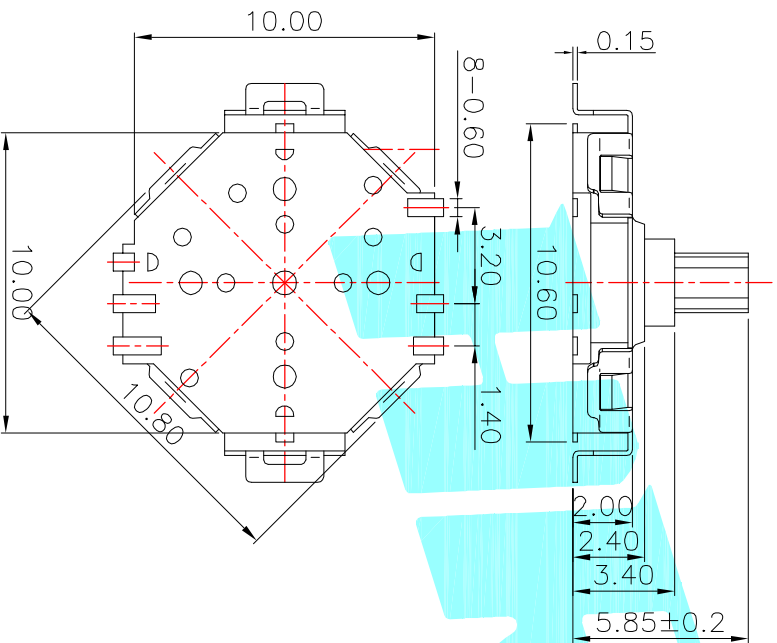
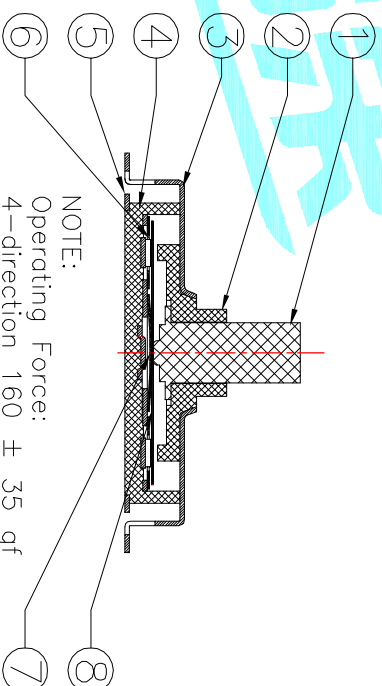


Circuit Diagram



PCB Layout(Pattern Side)



NOTE:
 Operating Force:
 4-direction 160 ± 35 gf
 center push 250 ± 35 gf
 Travel: 4-direction 0.25±0.1mm
 center push 0.25±0.1mm

⑧	Dust cover	—	1	Kapton film	Yellow	—
⑦	Contact 2	—	1	F.Ag/SUS	—	Circular
⑥	Contact 1	—	4	F.Ag/SUS	—	Rectangle
⑤	Terminal	—	8	Brass(0.15t)	Plating silver	—
④	Base	—	1	LCP	Black	—
③	Cover	—	1	LCP	Black	—
②	Axle sleeve	—	1	LCP	Off-white	—
①	Keystroke	—	1	PA46	Black	—
ITEM	PART NAME	TER.NO.	QTY.	MATERIAL	FINISHING	REMARK

APPROVALS		DATE	TITLE: MULTIFUNCTIONAL SWITCHES	
DRAWN	J.X.Zhang	2013/7/31	ELECTRONICS CO.,LTD	
CHECKED	—	—	—	
APPROVALS	—	—	—	
TOLERANCES ARE		30~12.5 ±	±0.30	ANGLE
—	—	10~30	±0.20	—
—	—	5~10	±0.15	—
—	—	~5	±0.10	±2'

ECN NO.	REV.	DATE.	DESCRIPTION.	CHANGE.	CHECK.	APPRO.
—	A	—	NEW	—	—	—
<p style="text-align: center;">OKHRO</p> <p style="text-align: center;">ELECTRONICS CO.,LTD</p>						
PART NO.		SCALE: 1:1		PROJ: —		SHEET 1 OF 1
K1-1513SN-01		—		—		—